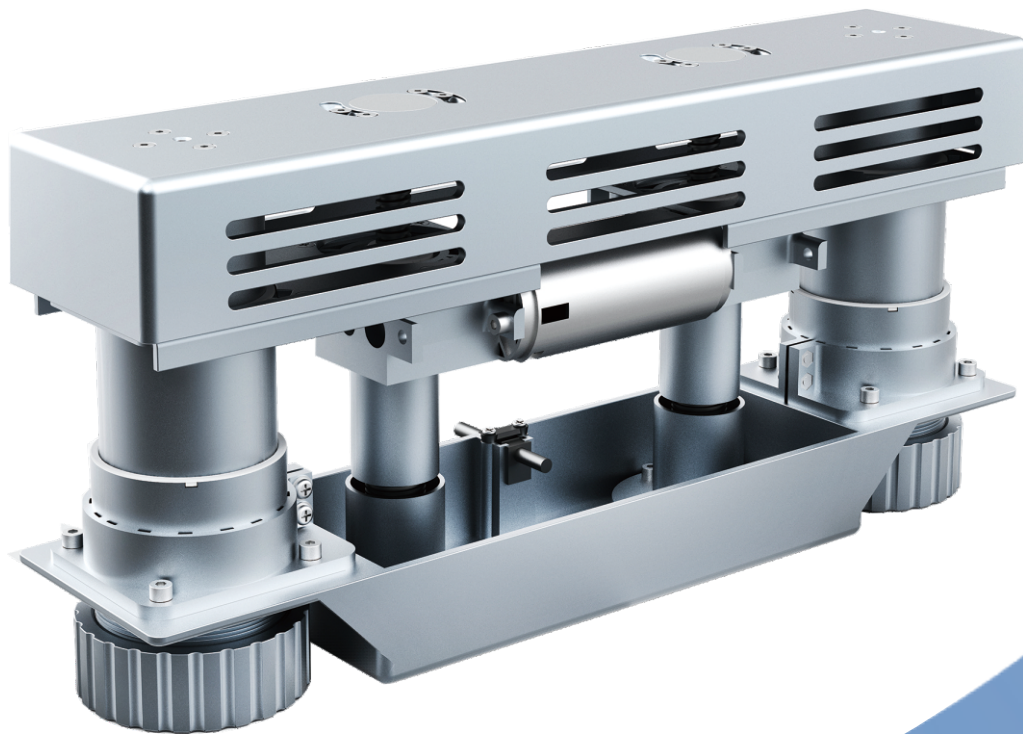


Base Lift JC37A



Data sheet

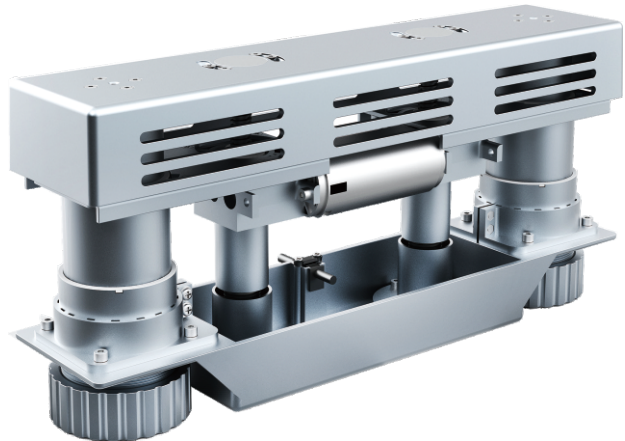
JC37A

Features

- Shorter retracted length, longer stroke length
- Low noise, stronger load capacity
- Apply to kitchen island

Application range

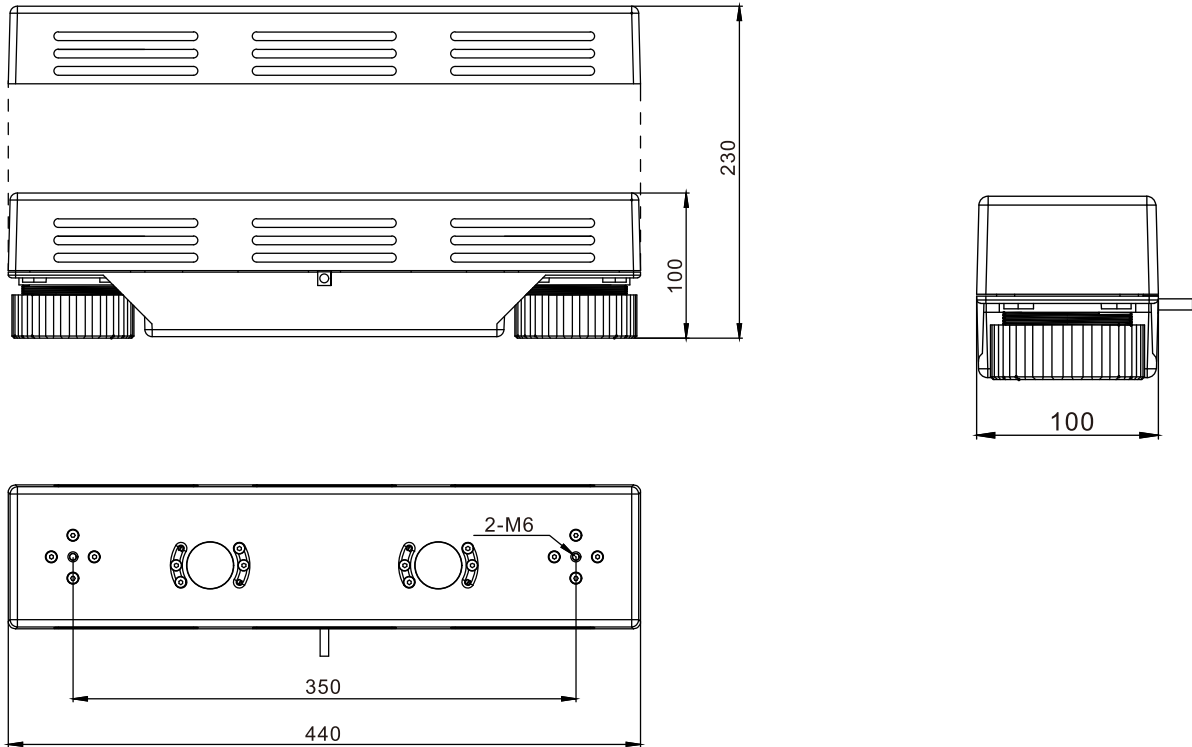
- JC37A system is the perfect choice without compromising on space or storage room to get comfort.
- JC37A system can be used for kitchen, counter, display platform.



Technical specifications

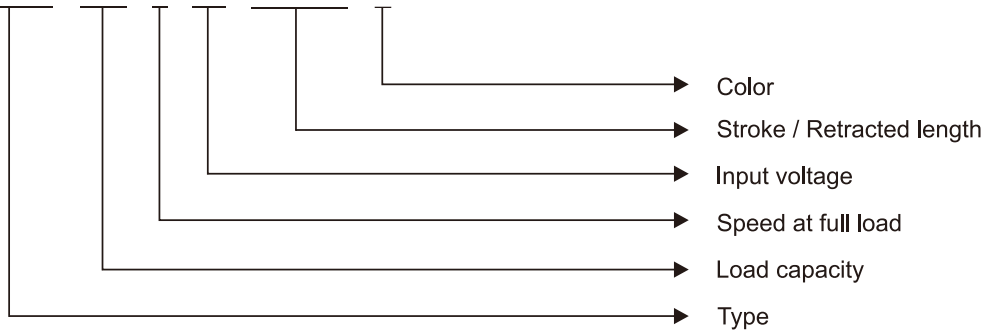
Max stroke length	130mm
Min height	100mm
Max height	230mm
Load speed	6mm/s
Max load capacity	1500N
Noise Level	Less than 55dB
Surface	Powder coating
Duty cycle	2 minutes continues use followed by 18 minutes not in use
IP grade	IP20
Ambient temperature	+5°C-+40°C
Certification	N/A
Color	Silver
Weight	6.5KG

Dimension



Ordering Key

JC37A - 1D5 - 6 - 24 - 130/100 - S



Application case

