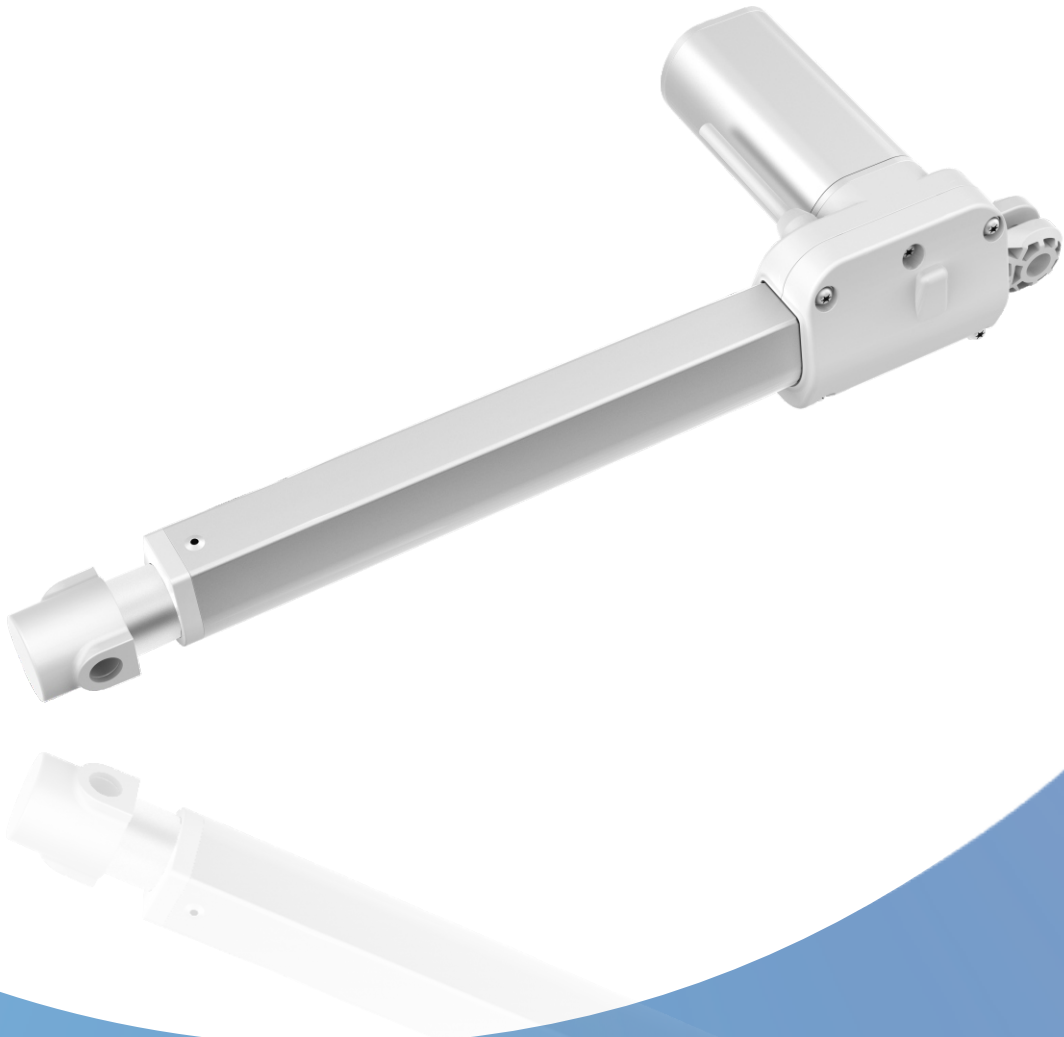


Linear Actuator JC35L6



Data sheet

Linear Actuator JC35L6

JC35L6 is a actuator with low noise, short installation distance and protection grade up to IP54.

There are the following models:

JC35L6-50N (push); JC35L6-1000N (push); JC35L6-2000N (push); JC35L6-3000N (push); JC35L6-2000N (pull).



Features

- I_{max}. load push : 3000N
- Max. load pull : 2000N
- Color: Black/Grey
- IP rating : IPX4, Up to IP54
- Input voltage : 12/24VDC
- Stroke length:
 - 3000N:50-300mm(±4mm)
 - 2000N:50~400mm(±4mm)
 - 1000N:50-600mm(±4mm)
 - 50N:50~600mm(±4mm)
- Noise level≤48dB(ambient level≤40dB)
- Static bending moment: No side load allowed
- Flammability rating : UL92V-0
- Electrical limit switches : built-in
- Certificated by: CE,UL

Options

- Hall sensor option
- Only push no pull (Anti-pitch option)

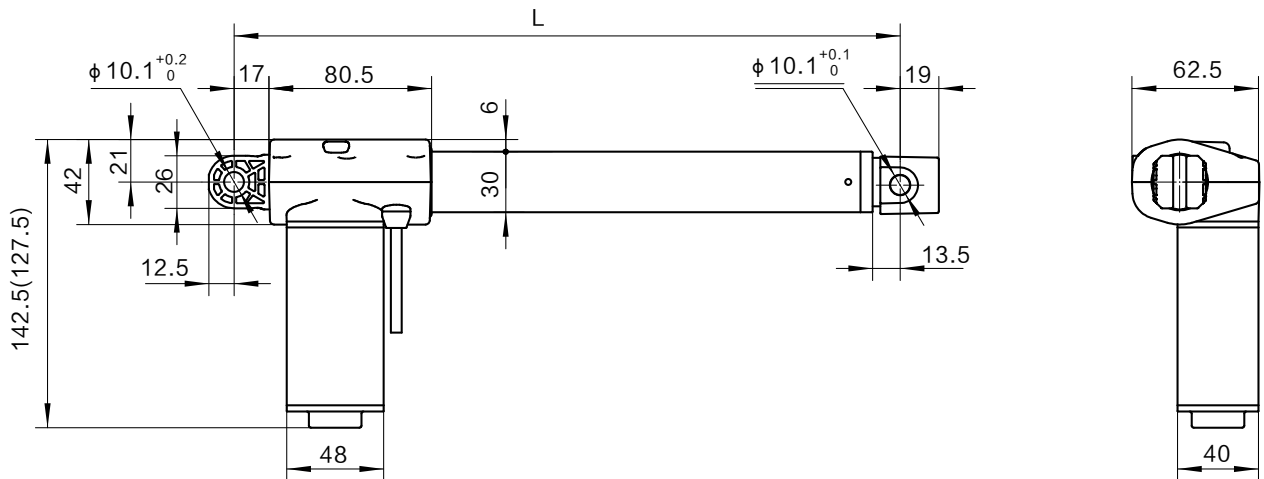
Usage

- Compatible with: control boxes JCB35E, JCB35Q, JCB35T, JCB35R
- 2. Duty Cycle: 10%, continuous work for most 2 minutes with a pause of 18 minutes
- Usage Temperature: 0°C~50°C
- Storage Temperature: -10°C~50°C
- Atmospheric pressure: 700~1060 hPa
- Relative humidity: 20%~90% at 30°C, non-condensing

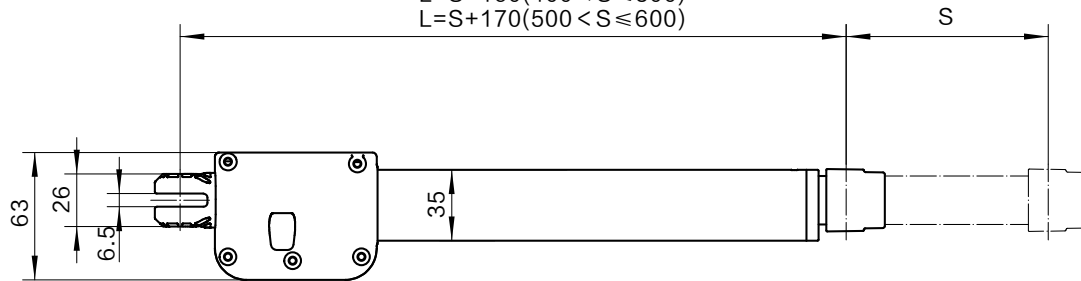
Technical specifications

Output Voltage (VDC)	Spindle Pitch (mm)	Max.Load Push (N)	Self-Lock (N)	Speed at Full Load (mm/s)	Current at Full Load (A)	
24	usual	3	3000	3000	6.5/4.5	3.0
		5	2000	2000	11/8	2.5
		7.5	1000	1000	16/13	2.0
		20	50	50	42/41	1.5
	quick	7.5	1000	1000	18/15	3.5
		20	50	50	49/47	2.0
12	7.5	1000	1000	15/10	4.0	
29	3	3000	3000	7.6/6.1		
	5	2000	2000	12.7/10.5		
	7.5	1000	1000	18.89/16.16		
	20	50	50	49.6/50.5		

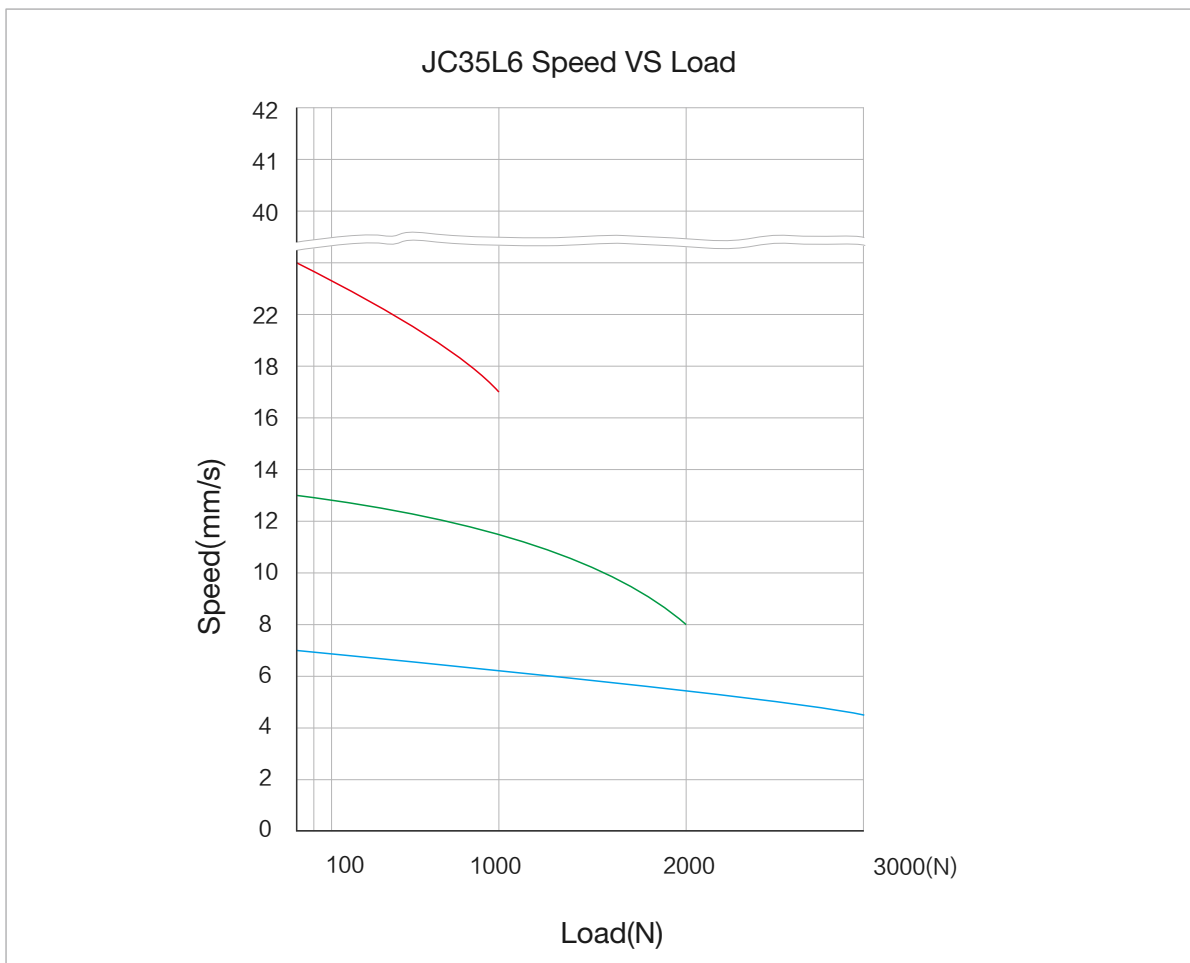
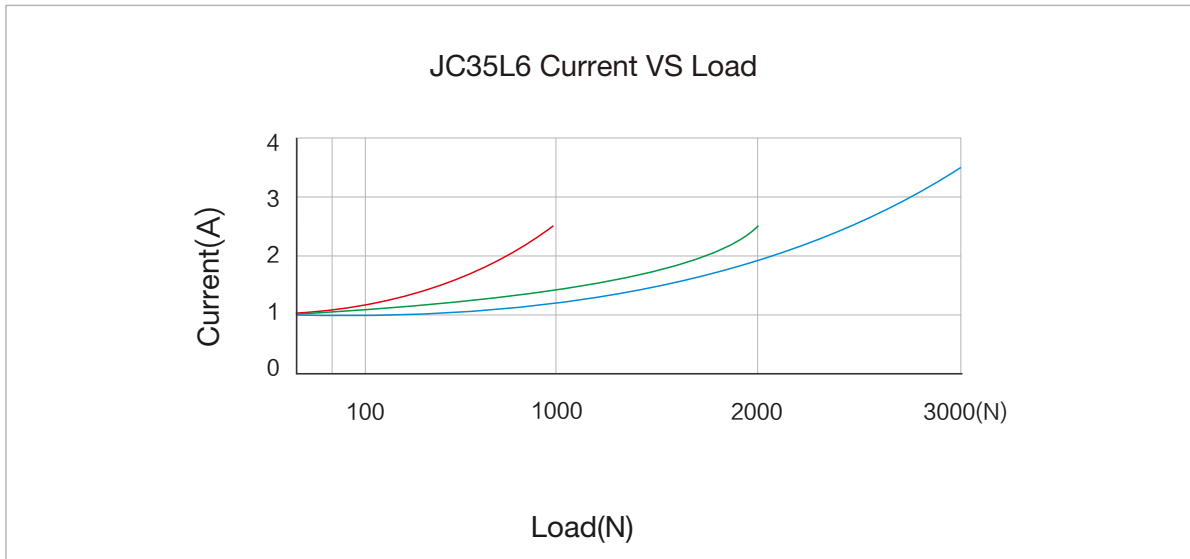
Dimension



- $L = S + 130 (S \leq 200)$
- $L = S + 140 (200 < S \leq 300)$
- $L = S + 150 (300 < S \leq 400)$
- $L = S + 160 (400 < S \leq 500)$
- $L = S + 170 (500 < S \leq 600)$



Performance Data (24V DC)



Order Key Example

JC35L6 0 3 4D5 24 150/280 H B 06 S 09 0 02 1D0

