

Lead acid battery JCP35PA-B-1



Data sheet

Lead acid battery JCP35PA-B-1

- JCP35PA-B-1 is compatible with Jiecang's control box with battery function; Equipped with a smart LED charging indicator, the low power consumption could help to save the cost and protect the environment; The control box can monitor the battery capacity in real time with a buzzer for low-voltage alarm.



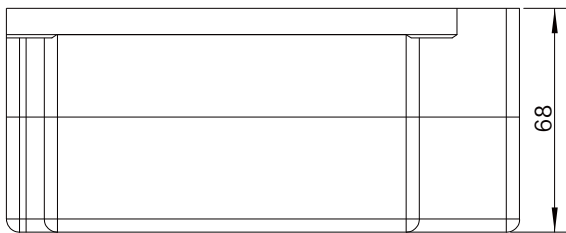
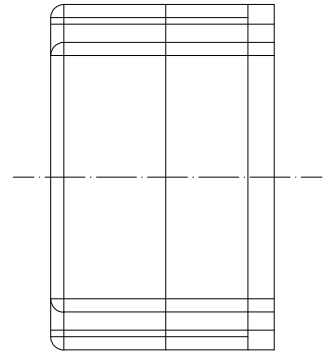
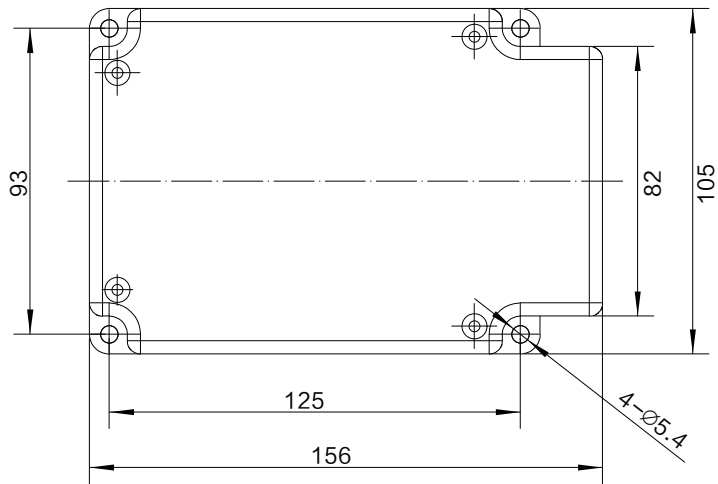
Features

- Input voltage: 29-36VAC
- Output voltage: 24VDC
- Type of battery: acid battery
- Capacity: 1.3Ah
- Plug: optional
- Color: Black/Grey
- IP grade: IP54
- Supporting control box: Jiecang control box with battery function

Usage

- Operating temperature: +5°C to +40°C
- Reserve temperature: -10°C to +50°C
- Operating humidity: 20% to 80%, non-condensing
- Atmospheric pressure: 860 to 1060hPa
- Altitude: Max. 2000m

Dimension drawing

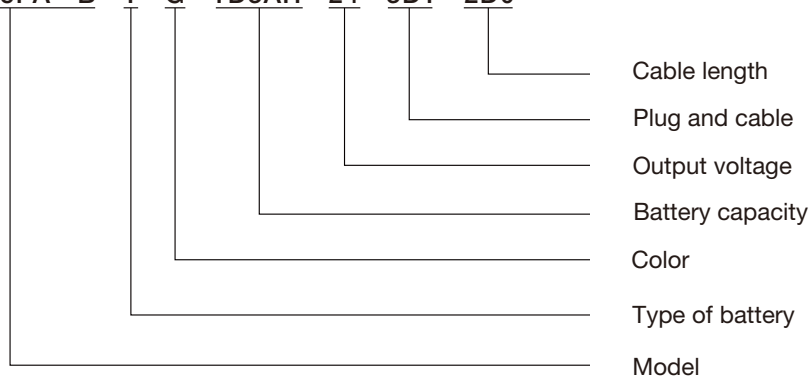


Ordering Key

Model	JCP35PA-B	JCP35PA-B series battery
Type of battery	X	1=acid battery
Color	X	B=black G=gray
Battery capacity	X	1D3AH=1.3AH
Output voltage	XX	24=24V
Plug and cable	XX	3D1=3 pin Din plug 6D1=6 pin Din plug S=Φ 2.5 Earphone plug 4G3= 4 pin Mini-Fit elbow plug
Cable length	XXX	2D0=2.0m

Naming regulation

JCP35PA - B - 1 - G - 1D3AH - 24 - 3D1 - 2D0



Disclaimer and Exclusion of Liability

The user must determine the suitability of JIECANG products under specific conditions. JIECANG is committed to providing accurate latest product information. However, due to JC's continuous improvement of its products, JC's products may not be notified in advance with frequently changes. Therefore, JIECANG cannot guarantee the correctness and authenticity of the product information. Although JIECANG will do our best to meet the order requirements, for the above reasons, JIECANG cannot guarantee the delivery ability of any specific product. Therefore, JIECANG reserves the right to stop selling any products listed on the website or product catalog or other JIECANG written materials. All sales activities must be carried out in accordance with the requirements of the JIECANG Sales and Delivery Standard Terms. For copies of related documents, please contact JIECANG.